

# Antenna Installation Instructions

Part Number: HW5565-26D-HP

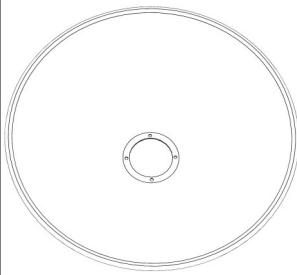
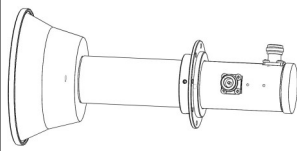
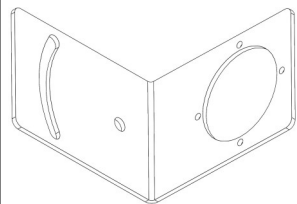
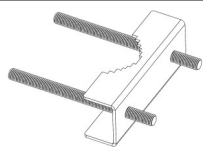
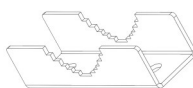
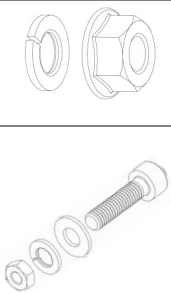
## Description

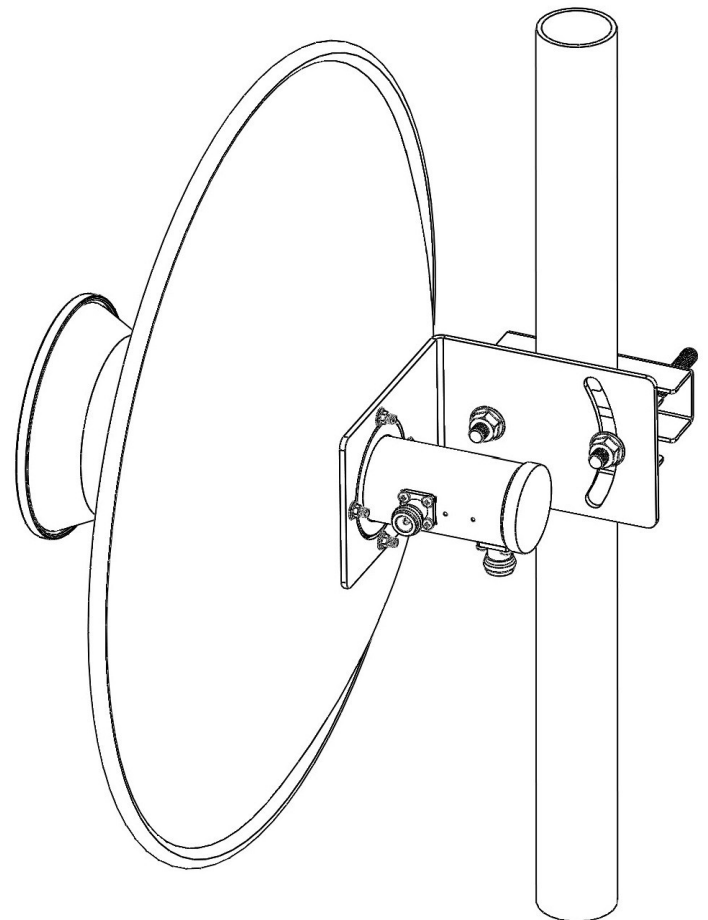
This antenna consists of a 0.4m (1.3ft) reflector, feeder and mount. The mount is designed to attach the antenna to a vertical pipe of diameter 35mm to 55mm. The mount provides adjustment ranges of  $\pm 25^\circ$  fine elevation and  $\pm 180^\circ$  azimuth.

## Notice




The installation, maintenance or removal of antenna systems requires qualified, experienced personnel. This installation instructions have been written for such personnel. Antenna systems should be inspected once a year by qualified personnel to verify proper installation, maintenance, and condition of equipment. Honorwave disclaims any liability or responsibility for the results of improper or unsafe installation practices.

## Part List

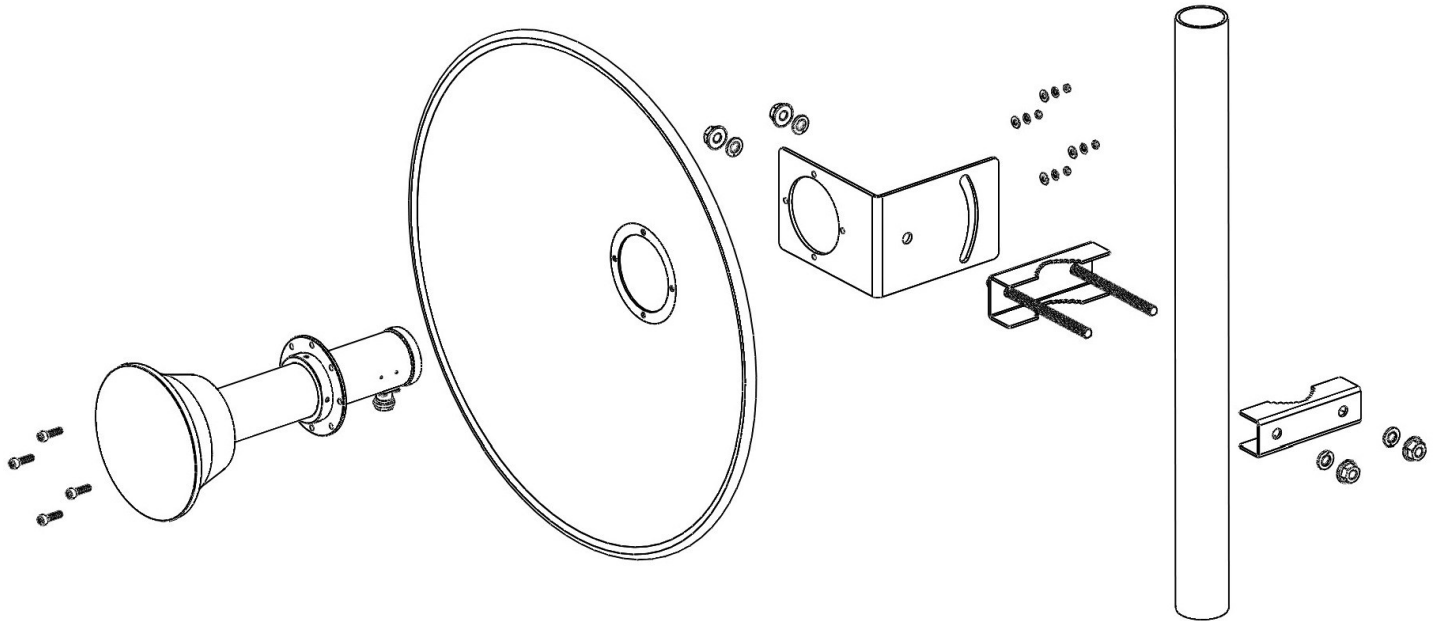
Item	Contents	Qty	Image
A	Reflector 0.4m (1.3ft)	1	
B	Feeder	1	
C	Mounting	1	
D	Pole Bracket	1	
E	Pole Clamp	1	
F	Nut M8, galv	4	
G	Spring Washer M8, galv	4	
H	Screw M4x16, Allen, st	4	
I	Nut M4, galv	4	
J	Spring Washer M4, st	4	
K	Washer M4, st	4	
L	Inasalation Guide	1	



## Tools Required

Item	Contents	Qty	Image
1	Combination Wrench, 13mm	1	
2	Combination Wrench, 7mm	1	
3	Allen Wrench, 3mm	1	

## Installation



### 1 Install Mounting and Feed to Reflector

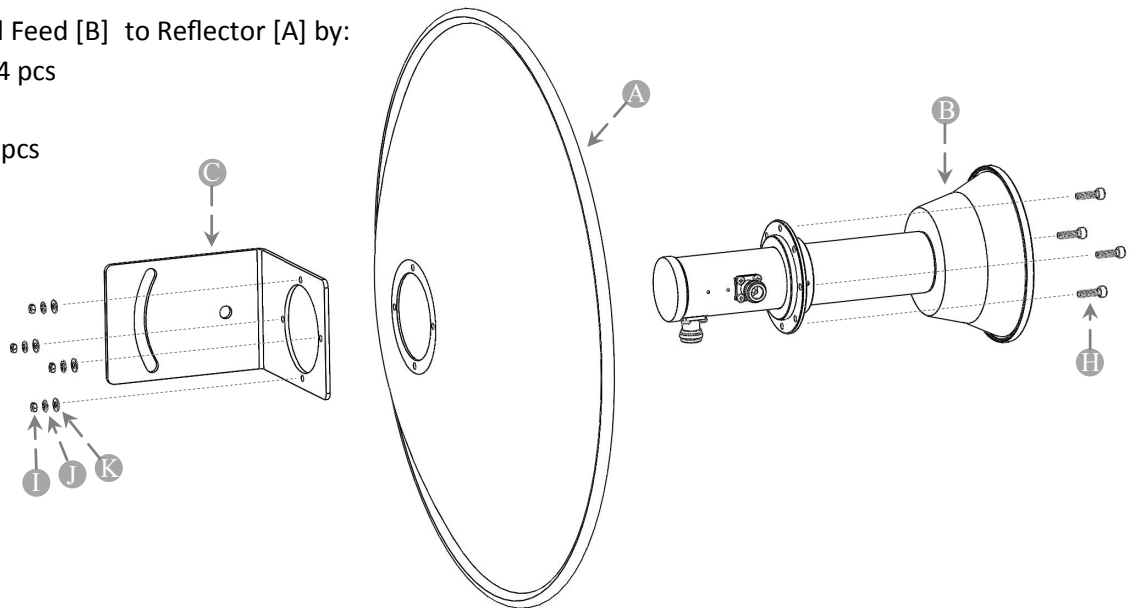
Install Mounting [C] and Feed [B] to Reflector [A] by:

[H] Allen Screw M4x16; 4 pcs

[I] Nut M4; 4 pcs

[J] Spring Washer M4; 4 pcs

[K] Washer M4; 4 pcs

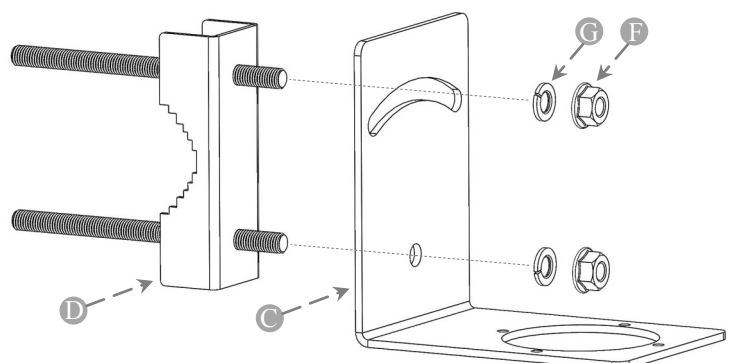


### 2 Install Pole Bracket to Mounting

Install Pole Bracket [D] to Mounting [C] by:

[F] Nut M8; 2 pcs

[G] Spring Washer M8; 2 pcs



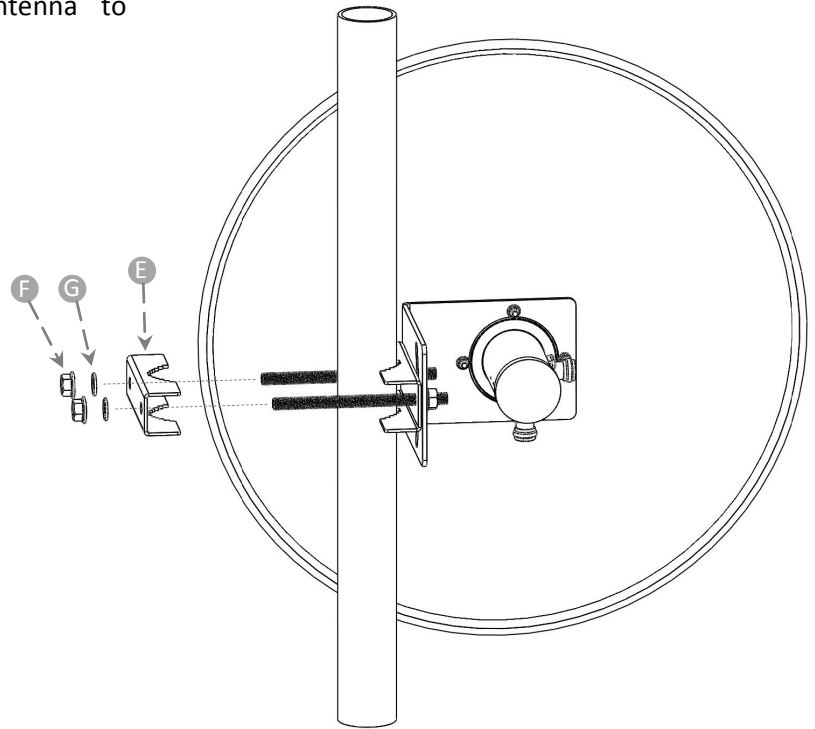
## 3 Attach Antenna to Mounting Pole

Select location for antenna and attach antenna to mounting pole by:

[E] Pole Clamp; 1 pcs

[F] Nut M8; 2pcs

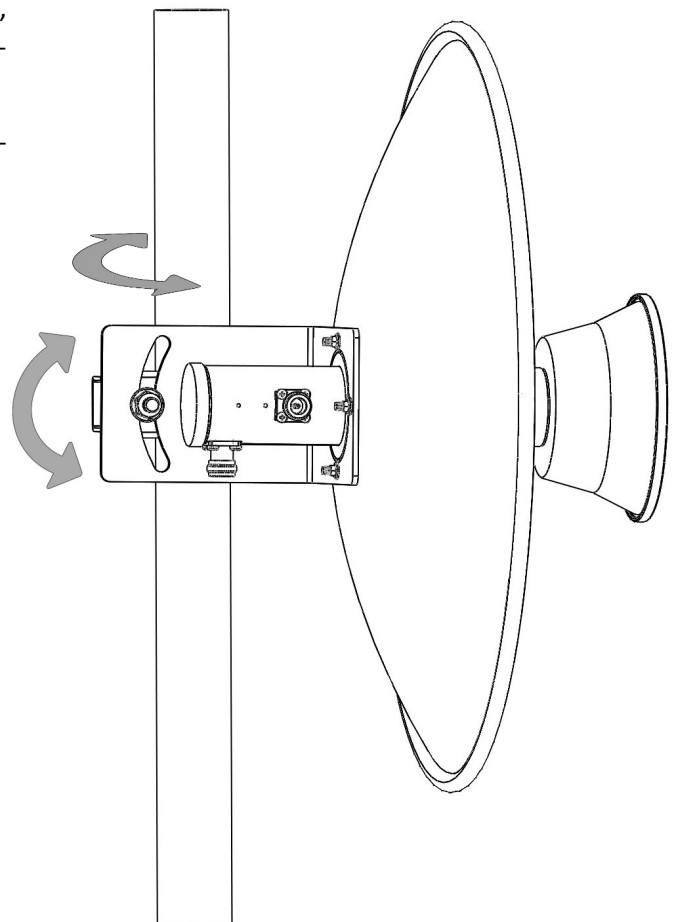
[G] Spring Washer M8; 2 pcs



## 4 Adjust Azimuth and Elevation

After a visual alignment of both elevation and azimuth, elevation and azimuth can be adjusted by rotating the antenna after loosening the nuts M8.

When azimuth/elevation are set tighten nuts to approximately 14N-m (10 lb-ft).



## TECHNICAL DATA SHEET

### General Specifications

Model Number	HW5565-26D-HP
Diameter (ft/m)	1.3/0.4
Polarization	Dual (Vertical and Horizontal)

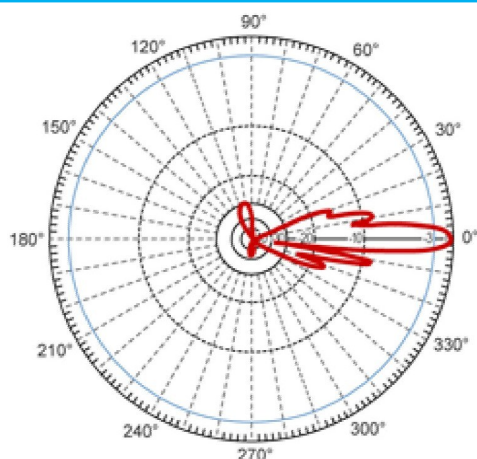
### Electrical Specifications

Input	2 × N-Female
Frequency Range (MHz)	5.5GHz-6.5GHz
VSWR	1.4:1
Impedance ( $\Omega$ )	50
Gain (dBi)	26
3dB Beamwidth	H-plane: 7° / E-plane: 7°
F/B Ratio (dB)	30

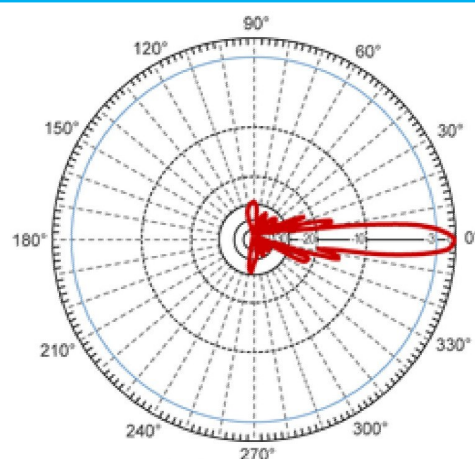
### Mechanical Specifications

Weight With Holder (kg)	2 kg
Color	Golden
Screws and Nuts	Galvanized and Steel
Fine Azimuth Adjustment	$\pm 25^\circ$
Wind Loading (km/h)	200
Operating Temperature	-40 °C to 60 °C
Supportable Comparative Damp	90%

### Patterns



E-Plane



H-Plane

For further technical support leave message at

E-mail: [support@honorwave.com](mailto:support@honorwave.com)

whatsapp: +49 1520 7018 287 8 A.M - 5 P.M (GMT+2)

All messages will be answered in 2 working days.