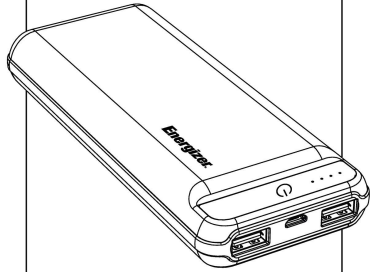


Energizer

UE15032



Includes

EN

Specification:

Model Name : UE15032
 Battery Cell : Lithium-Polymer
 Power Capacity : 15000mAh @3.7V
 Output WH : Max.55.5Wh
 Rated Input : 5V, 2A
 Rated Output : 5V, 2.1A(Max.)
 Dimensions : 150(L)*64(W)*24(H) mm
 Weight : 280g±10g

SP

Especificaciones:

Modelo : UE15032
 Célula : Polímeros de Litio
 Capacidad : 15000mAh @3.7V
 Tensión de Salida WH : Max.55.5Wh
 Tensión de Entrada : 5V, 2A
 Tensión de Salida : 5V, 2.1A(Max.)
 Dimensiones : 150(L)*64(W)*24(H) mm
 Peso : 280g±10g

FR

Spécifications:

Modèle : UE15032
 Type de batterie : Lithium Polymère
 Capacité : 15000mAh @3.7V
 Sortie WH : Max.55.5Wh
 Entrée : 5V, 2A
 Sortie : 5V, 2.1A(Max.)
 Dimensions : 150(L)*64(W)*24(H) mm
 Poids : 280g±10g

IT

Specifiche tecniche:

Modello : UE15032
 Cellula di batteria : Polimero di Litio
 Capacità : 15000mAh @3.7V
 Potenza WH : Max.55.5Wh
 Ingresso Nominale : 5V, 2A
 Potenza Nominale : 5V, 2.1A(Max.)
 Dimensioni : 150(L)*64(W)*24(H) mm
 Peso : 280g±10g

DE

Technische Daten:

Modell : UE15032
 Batterie : Lithium Polymer
 Lade Kapazität : 15000mAh @3.7V
 Ausgangsspannung WH : Max.55.5Wh
 Eingangsspannung : 5V, 2A
 Ausgangsspannung : 5V, 2.1A(Max.)
 Abmessungen : 150(L)*64(W)*24(H) mm
 Gewicht : 280g±10g

Package Contents



1 UE15032



3 Micro USB Cable



2 User Manual



PowerSafe Management

Guarantees against short circuit and over-charging for your power bank and devices.



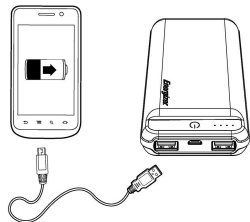
Register!

Customer Service

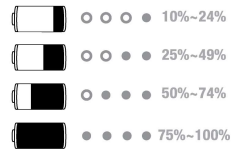
For any question about the product, please contact us at service@energizerpowerbanks.com. Please register your product online www.energizerpowerbanks.com/product_registration.php

© 2019 Energizer. Energizer and certain graphic designs are trademarks of Energizer Brands, LLC and related subsidiaries and are used under license by TerniRich International Corp. All other brand names are trademarks of their respective owners. Neither TerniRich International Corp. nor Energizer Brands, LLC is affiliated with the respective owners of their trademarks.

How to USE

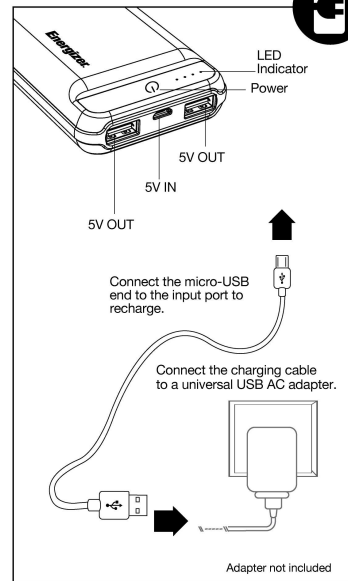


Press the power button to activate charging on your device(s)



Blinking light indicates charging.
 Solid light indicates fully charged.

How to Recharge



Safety Instruction

- Avoid water, heat, fire, penetration of the battery, and severe drops at all times.
- Do not insert other objects into the USB ports other than the USB connectors.
- Once the product is fully charged, your power pack automatically shuts off to save power.
- During charge & recharge, battery may feel slightly warm.
- Do not clean the battery with water or other cleaning products, clean the exterior with a lightly wetted cloth or napkin.
- Any intentional and physical damage to the battery will not be under the warranty conditions.
- Battery storage temperature is between 10°C~40°C, operating temperature is 0°C~40°C.
- Fully charge the battery before first use to maximize the battery life.
- Recommend to recharge your power bank with a wall charger/adapter.
- For better performance, avoid recharging the power bank while your device is connected to it.

WARRANTY

All products from the date of purchase are qualified for limited time warranty. For more warranty information, please visit: <http://www.energizerpowerbanks.com>

GARANTIE

Alle Produkte eignen sich ab dem Kaufdatum zu einer beschränkten Qualitätsgarantie. Für zusätzliche Garantien klicken Sie bitte auf: <http://www.energizerpowerbanks.com>

GARANTIE

Tous les articles bénéficient d'une garantie limitée dans le temps à partir de la date d'achat. Pour plus d'informations concernant la garantie, merci de visiter notre site : <http://www.energizerpowerbanks.com>

GARANZIA

Tutti i prodotti, a partire dalla data di acquisto, hanno la certificazione sulla qualità per un periodo limitato di tempo. Per ulteriori informazioni sulla garanzia si prega di visitare il sito: <http://www.energizerpowerbanks.com>

GARANTIA

Todos los productos desde la fecha de compra gozan de la garantía de tiempo limitado. Para más información sobre la garantía, puede visitar: <http://www.energizerpowerbanks.com>



Dispose the battery properly, seek for local disposal facility for advice.
 Do not dispose, dismantle, damage, or incinerate the battery at all time.